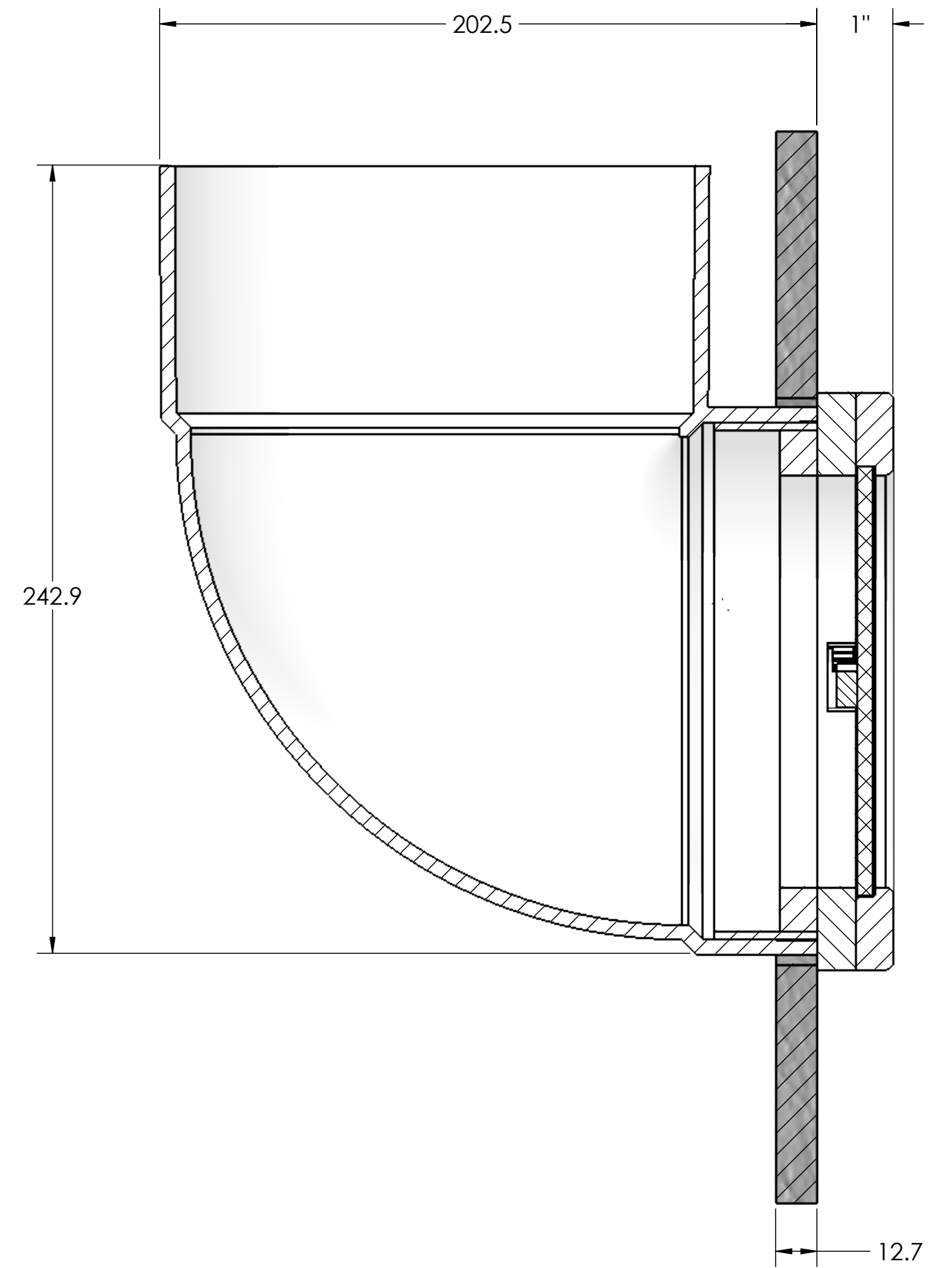
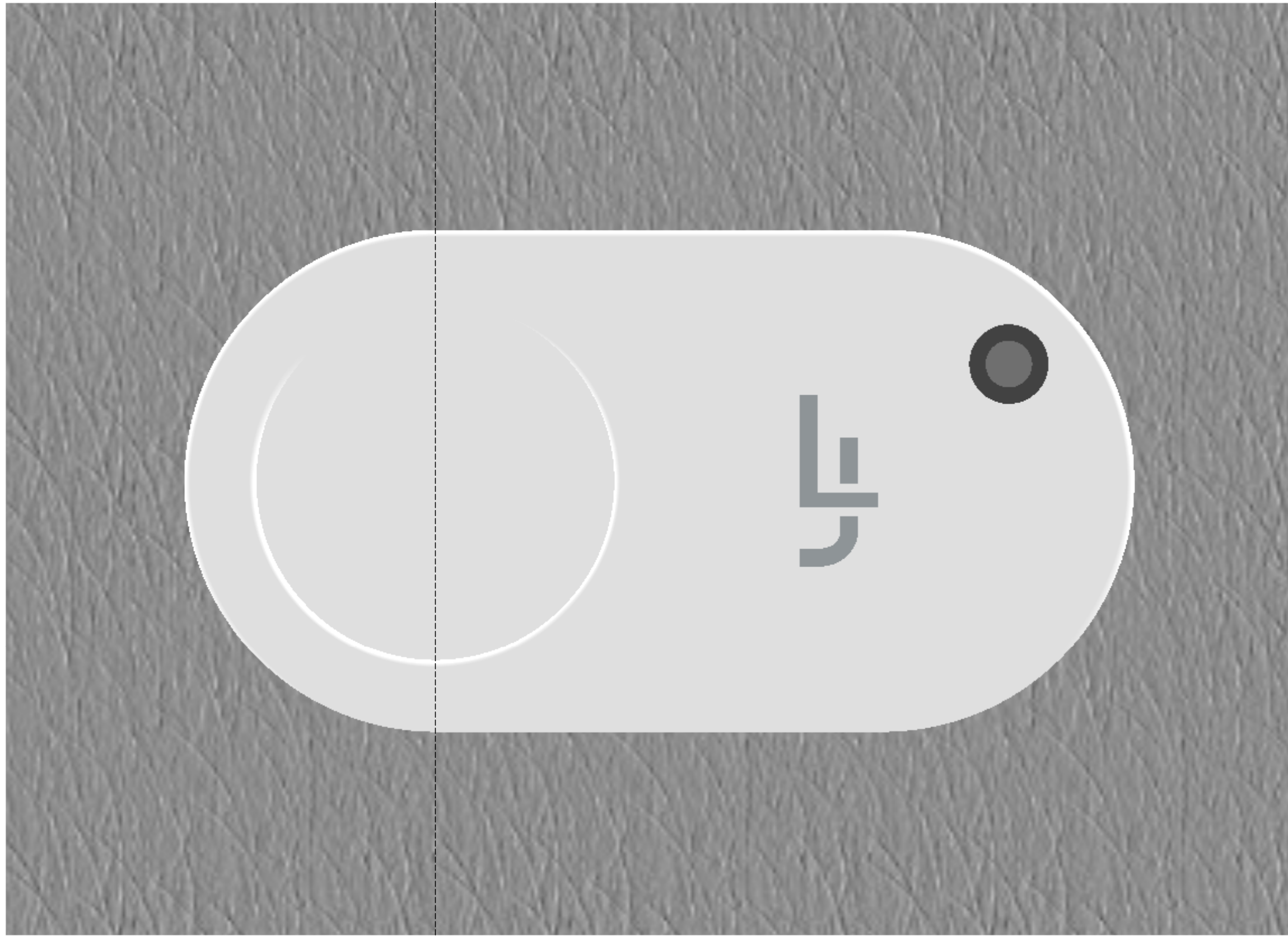


ISense 1.0



PROPRIETARY AND CONFIDENTIAL
THE INFORMATION CONTAINED IN THIS DRAWING IS THE SOLE PROPERTY OF **LAUNDRY JET**. ANY REPRODUCTION IN PART OR AS A WHOLE WITHOUT THE WRITTEN PERMISSION OF **LAUNDRY JET** IS PROHIBITED.

UNLESS OTHERWISE SPECIFIED:			
DIMENSIONS ARE IN MILLIMETRES	DRAWN	CW	6.15.21
TOLERANCES:	CHECKED	DH	6.15.21
FRACTIONAL ±	ENG APPR.	DH	6.15.21
ANGULAR: MACH ± BEND ±	MFG APPR.		
TWO PLACE DECIMAL ±	Q.A.		
THREE PLACE DECIMAL ±	CUSTOMER:		
MATERIAL			
FINISH			
DO NOT SCALE DRAWING			

LAUNDRY JET		
TITLE: ISense 1.0 Assembly		
SIZE A	DWG. NO. ISense 1.0	REV 1
SCALE: 1:2	WEIGHT:	SHEET 1 OF 1