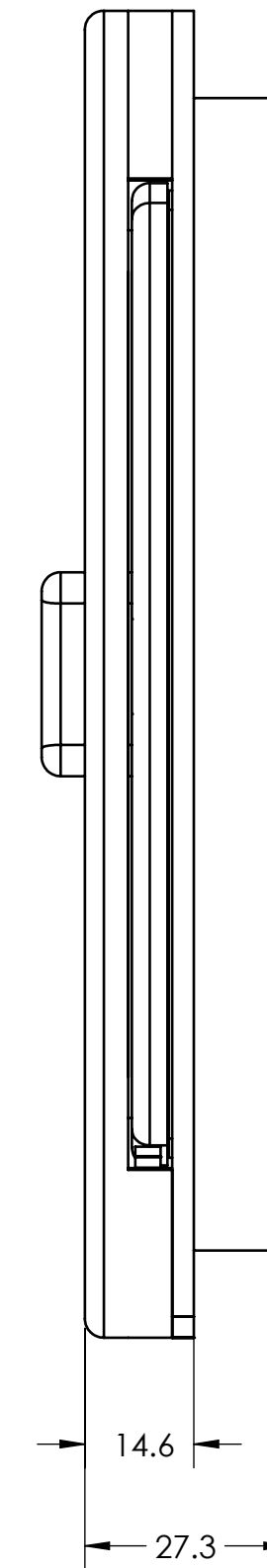
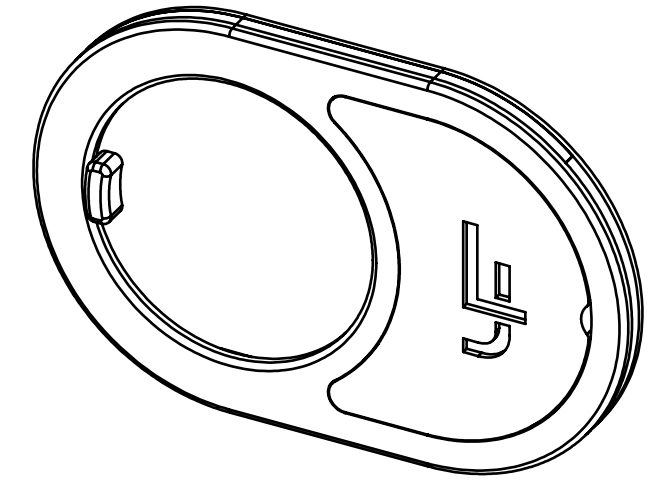
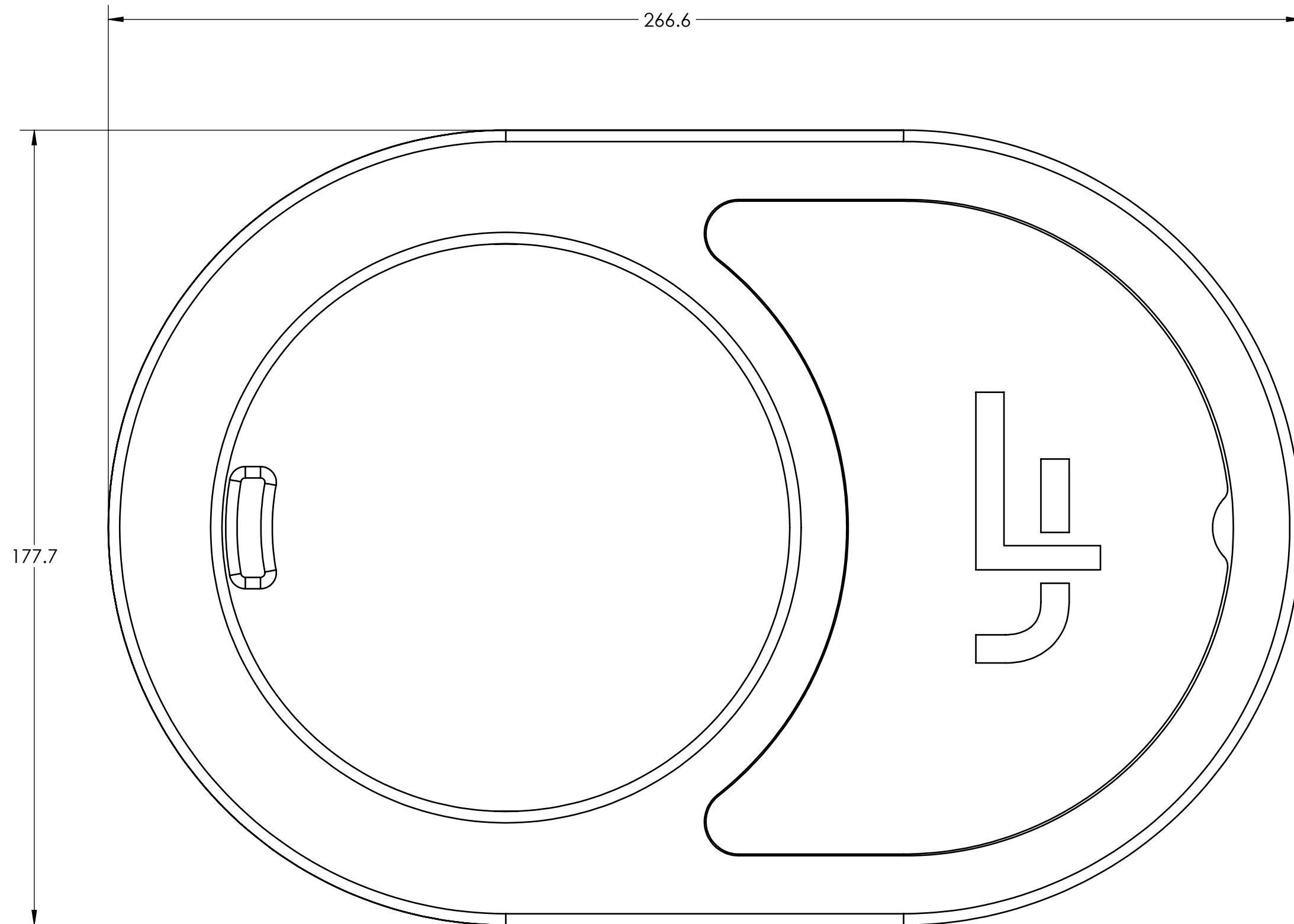


ISlide 7.0



SPECIFICATIONS

VOLTAGE: 12V
CONNECTION: CAT5

PROPRIETARY AND CONFIDENTIAL
THE INFORMATION CONTAINED IN THIS DRAWING IS THE SOLE PROPERTY OF **LAUNDRY JET**. ANY REPRODUCTION IN PART OR AS A WHOLE WITHOUT THE WRITTEN PERMISSION OF **LAUNDRY JET** IS PROHIBITED.

UNLESS OTHERWISE SPECIFIED:		NAME	DATE
DIMENSIONS ARE IN MILLIMETRES	DRAWN	CW	6.15.21
TOLERANCES:	CHECKED	DH	6.15.21
FRACTIONAL ±	ENG APPR.	DH	6.15.21
ANGULAR: MACH ± BEND ±	MFG APPR.		
TWO PLACE DECIMAL ±	Q.A.		
THREE PLACE DECIMAL ±	CUSTOMER:		
MATERIAL			
FINISH			
DO NOT SCALE DRAWING			

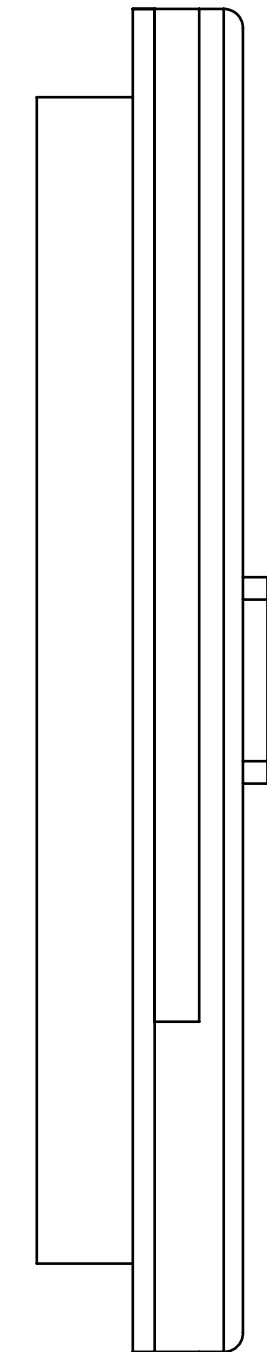
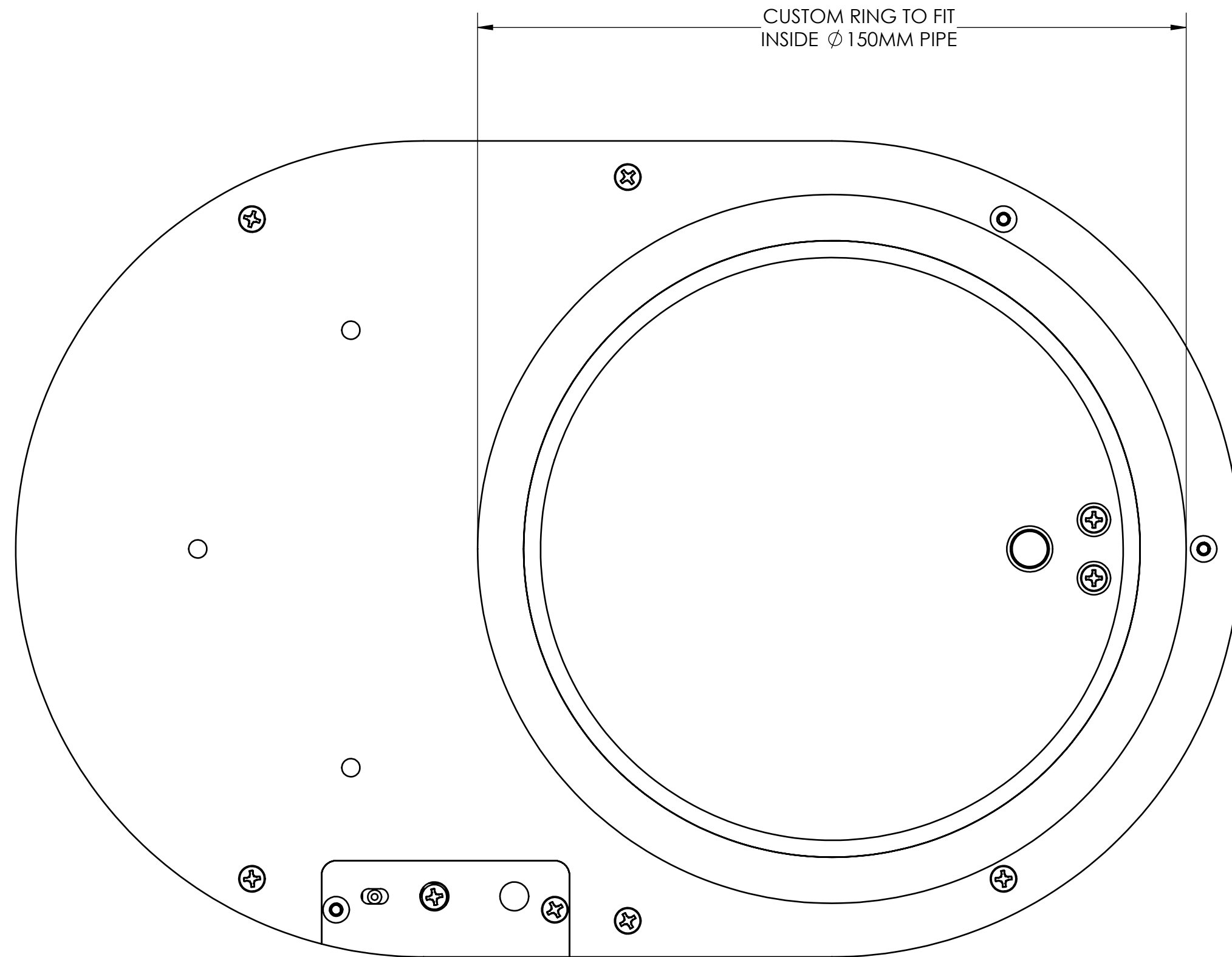
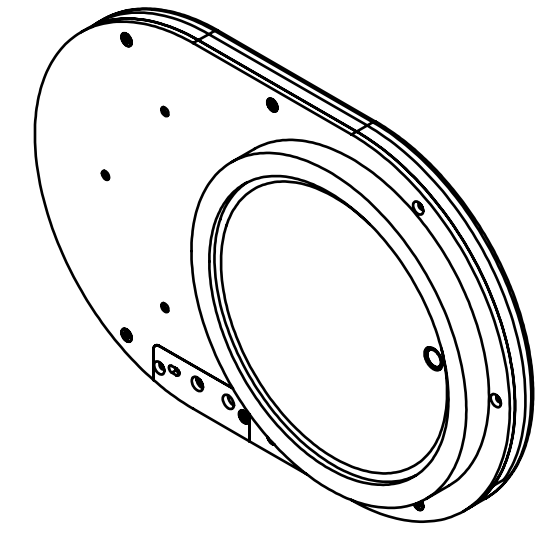
LAUNDRY JET

TITLE: **ISlide 7.0 Assembly**

SIZE	DWG. NO.	REV
A	LJ-ISlide 7.0	

SCALE: 1:2	WEIGHT:	SHEET 1 OF 1
------------	---------	--------------

ISlide 7.0



SPECIFICATIONS

VOLTAGE: 12V
CONNECTION: CAT5

PROPRIETARY AND CONFIDENTIAL
THE INFORMATION CONTAINED IN THIS DRAWING IS THE SOLE PROPERTY OF **LAUNDRY JET**. ANY REPRODUCTION IN PART OR AS A WHOLE WITHOUT THE WRITTEN PERMISSION OF **LAUNDRY JET** IS PROHIBITED.

UNLESS OTHERWISE SPECIFIED:

DIMENSIONS ARE IN MILLIMETRES
TOLERANCES:
FRACTIONAL ±
ANGULAR: MACH ± BEND ±
TWO PLACE DECIMAL ±
THREE PLACE DECIMAL ±

MATERIAL

FINISH

DO NOT SCALE DRAWING

	NAME	DATE
DRAWN	CW	6.15.21
CHECKED	DH	6.15.21
ENG APPR.	DH	6.15.21
MFG APPR.		
Q.A.		
CUSTOMER:		

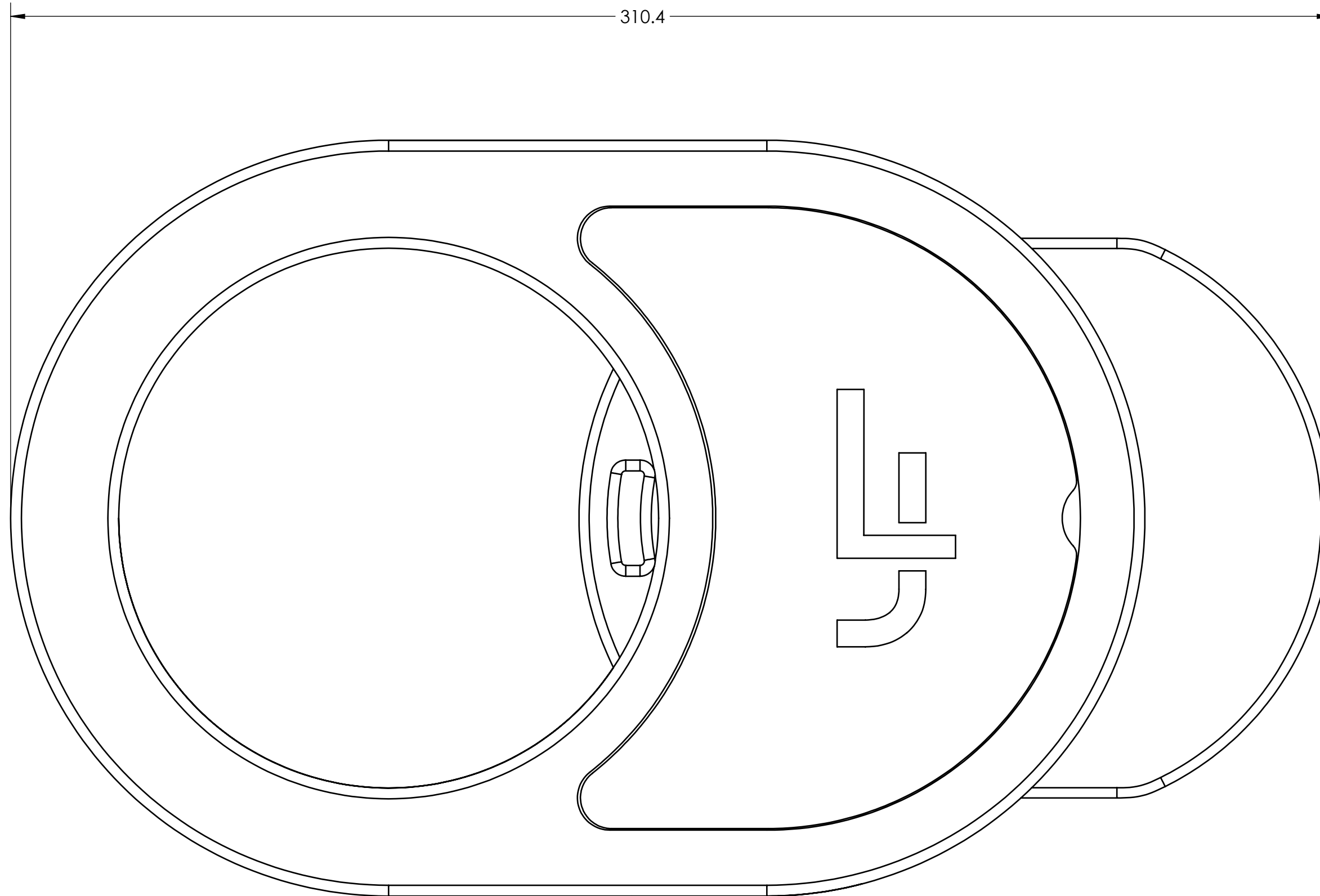
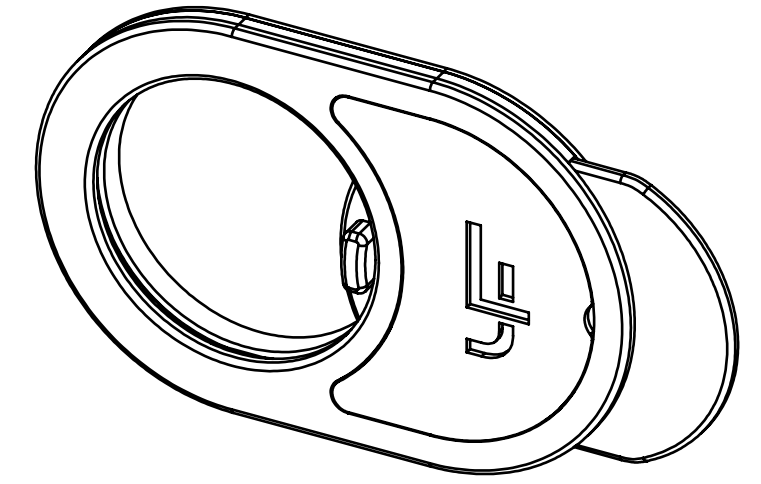
LAUNDRY JET

TITLE: **ISense 1.0 Assembly**

SIZE **A** DWG. NO. LJ-ISense 1.0 REV

SCALE: 1:2 WEIGHT: SHEET 1 OF 1

ISlide 7.0



SPECIFICATIONS

VOLTAGE: 12V
CONNECTION: CAT5

PROPRIETARY AND CONFIDENTIAL
THE INFORMATION CONTAINED IN THIS DRAWING IS THE SOLE PROPERTY OF **LAUNDRY JET**. ANY REPRODUCTION IN PART OR AS A WHOLE WITHOUT THE WRITTEN PERMISSION OF **LAUNDRY JET** IS PROHIBITED.

UNLESS OTHERWISE SPECIFIED:				NAME	DATE
DIMENSIONS ARE IN MILLIMETRES TOLERANCES: FRACTIONAL ± ANGULAR: MACH ± BEND ± TWO PLACE DECIMAL ± THREE PLACE DECIMAL ±	DRAWN	CW	6.15.21	LAUNDRY JET	TITLE: ISlide 7.0 Assembly
	CHECKED	DH	6.15.21		
	ENG APPR.	DH	6.15.21		
	MFG APPR.				
MATERIAL	CUSTOMER:			Q.A.	
FINISH					
DO NOT SCALE DRAWING					
SIZE		DWG. NO.		REV	
A		LJ-ISlide 7.0			
SCALE: 1:2		WEIGHT:		SHEET 1 OF 1	