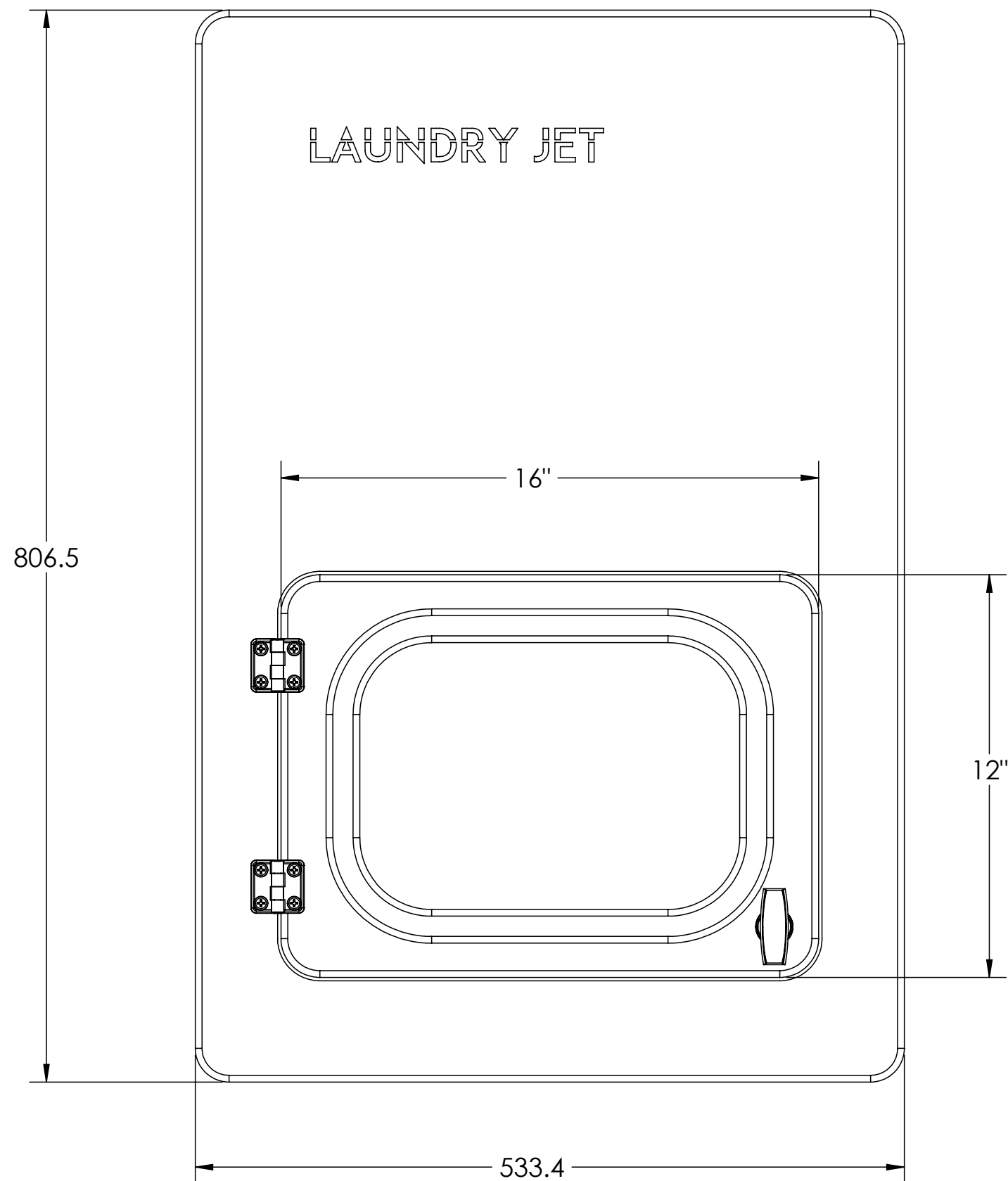
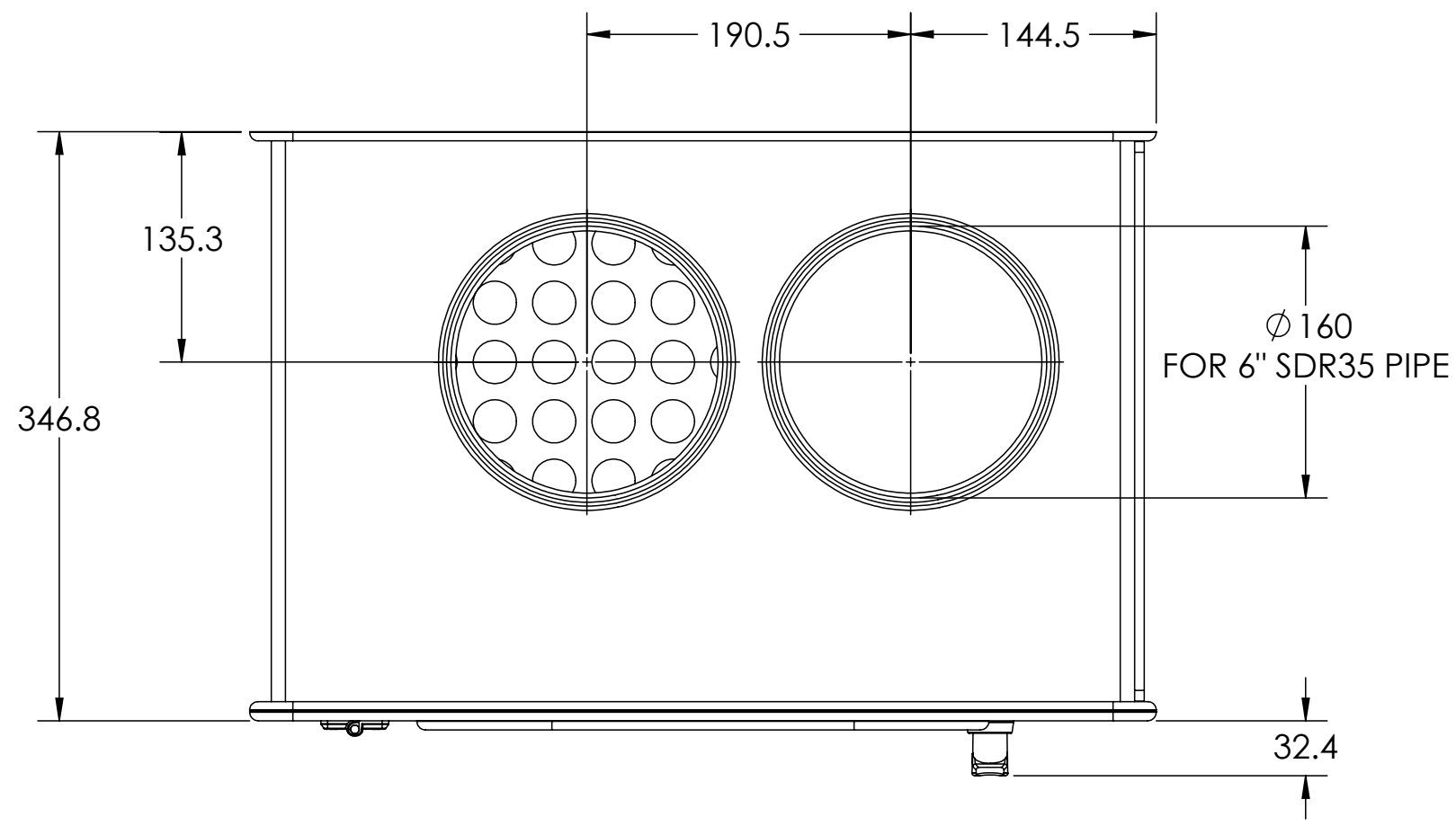


# LAUNDRY JET RETURN



UNLESS OTHERWISE SPECIFIED:			
	NAME	DATE	
DIMENSIONS ARE IN MILLIMETRES	DRAWN	CW	11.29.22
TOLERANCES:	CHECKED	DH	11.29.22
FRACTIONAL $\pm$	ENG APPR.	DH	11.29.22
ANGULAR: MACH $\pm$ BEND $\pm$	MFG APPR.		
TWO PLACE DECIMAL $\pm$	Q.A.		
THREE PLACE DECIMAL $\pm$	QUANTITY		
MATERIAL			
FINISH			
DO NOT SCALE DRAWING			

**PROPRIETARY AND CONFIDENTIAL**  
 THE INFORMATION CONTAINED IN THIS DRAWING IS THE SOLE PROPERTY OF **LAUNDRY JET**. ANY REPRODUCTION IN PART OR AS A WHOLE WITHOUT THE WRITTEN PERMISSION OF **LAUNDRY JET** IS PROHIBITED.

**LAUNDRY JET**

TITLE: **LAUNDRY JET RETURN UNIT**

SIZE	DWG. NO.	REV
<b>A</b>	LJRU-ASSEMBLY	<b>6</b>
SCALE: 1:5	WEIGHT:	SHEET 1 OF 1