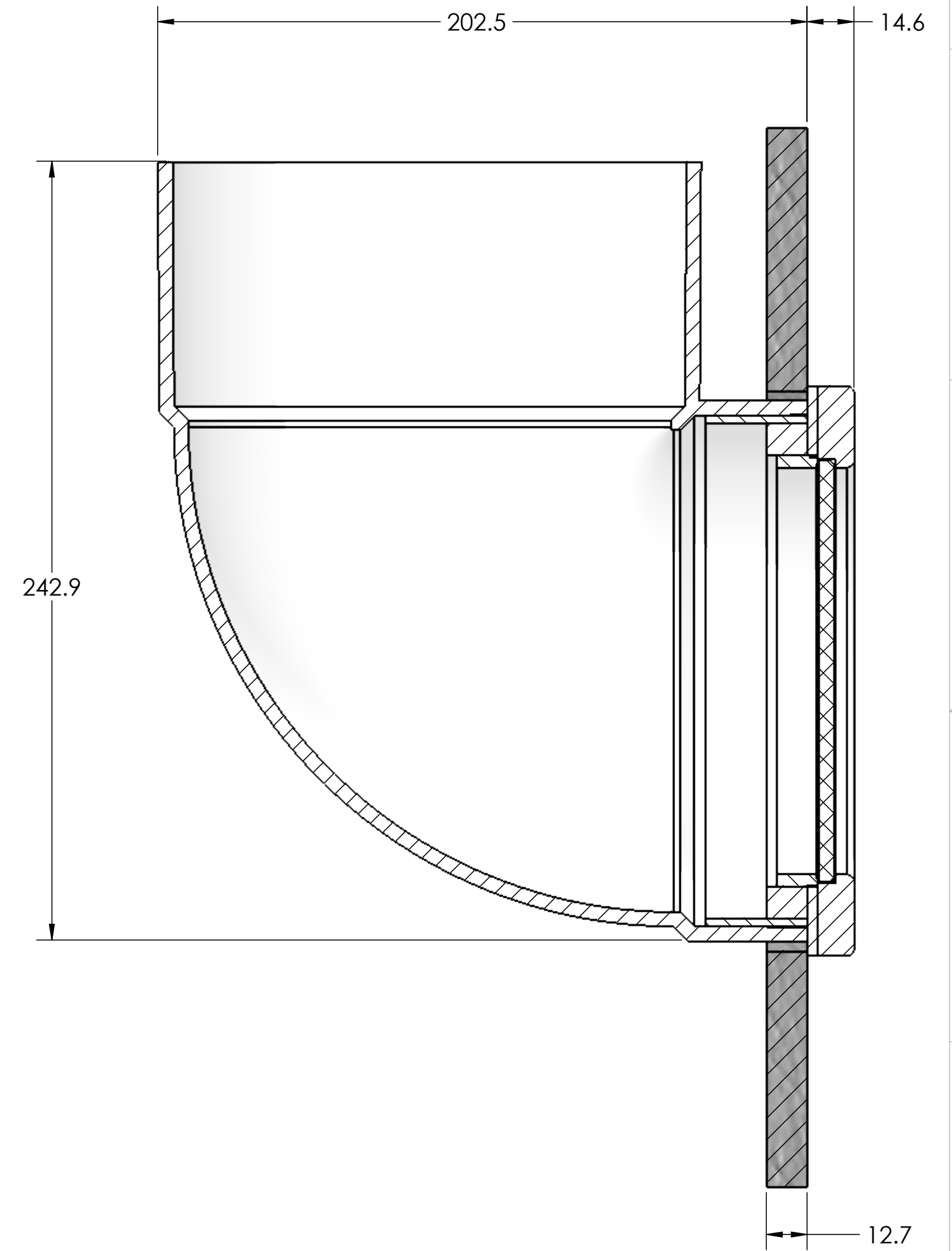
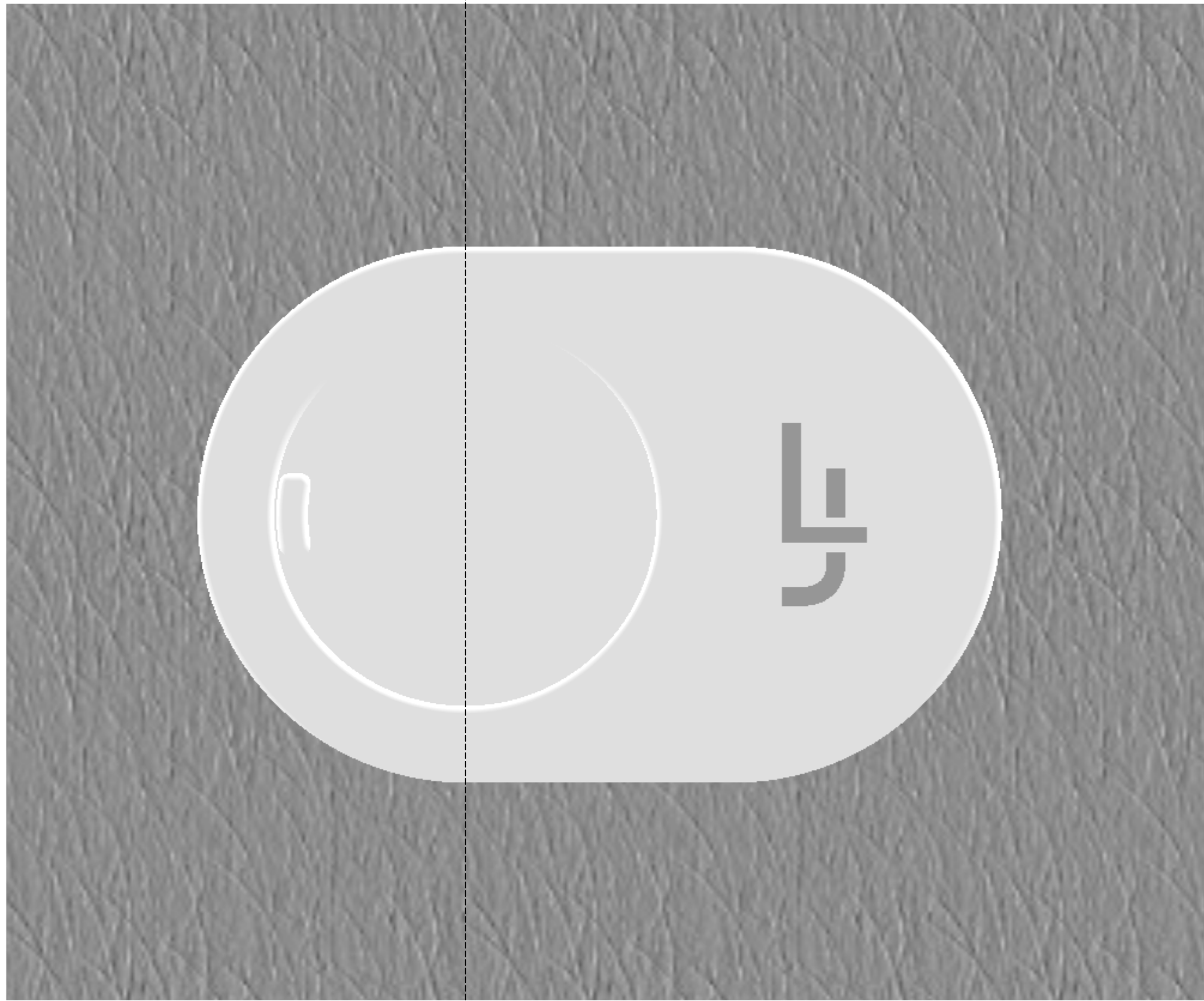


# ISlide 7.0



SECTION A-A  
SCALE 1 : 1.5

**PROPRIETARY AND CONFIDENTIAL**  
THE INFORMATION CONTAINED IN THIS DRAWING IS THE SOLE PROPERTY OF **LAUNDRY JET**. ANY REPRODUCTION IN PART OR AS A WHOLE WITHOUT THE WRITTEN PERMISSION OF **LAUNDRY JET** IS PROHIBITED.

UNLESS OTHERWISE SPECIFIED:			
DIMENSIONS ARE IN MILLIMETRES	DRAWN	CW	6.15.21
TOLERANCES:	CHECKED	DH	6.15.21
FRACTIONAL ±	ENG APPR.	DH	6.15.21
ANGULAR: MACH ± BEND ±	MFG APPR.		
TWO PLACE DECIMAL ±	Q.A.		
THREE PLACE DECIMAL ±	CUSTOMER:		
MATERIAL			
FINISH			
DO NOT SCALE DRAWING			

**LAUNDRY JET**

TITLE: **ISlide 7.0 Assembly**

SIZE	DWG. NO.	REV
<b>A</b>	ISlide 7.0	<b>7</b>

SCALE: 1:2	WEIGHT:	SHEET 1 OF 1
------------	---------	--------------